

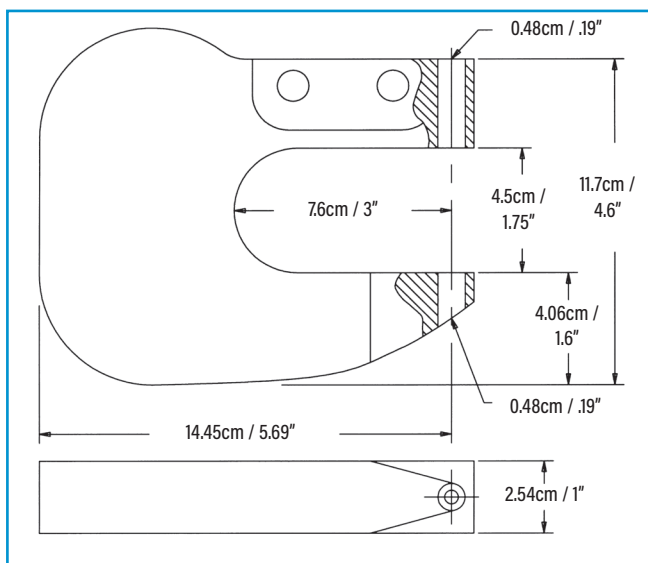
PEMSERTER® SERIES P3® PORTABLE PNEUMATIC HAND TOOL

- Pneumatic power for consistency and simple operation. Requires shop air only.
- Trigger controlled safety.
- Snap-in tooling changeover.
- Tool includes metric or unified tooling.
- Can be bench-mounted. Back side of yoke has two predrilled and tapped holes for bench mounting. Mounting bracket hardware included.
- One-year parts warranty.



The PEMSERTER® Series P3® fastener hand tool is a portable power hand tool weighing only 10 lbs / 4.6 kg that can develop a squeezing force of 22.2 kN / 5,000 lbs.

With the PEMSERTER Series P3 hand tool, you can easily install PEM® self-clinching nuts and studs in metric or unified sizes. The metric tool kit contains punches and anvils to install S™, CLS™ and CLA™ nuts ranging from M2 thru M5 thread sizes and FH™, FHS™ and FHA™ studs up to 12mm in length ranging from M2.5 thru M5 thread sizes. The unified tool kit contains punches and anvils to install nuts and studs up to 0.5" in length ranging from #2-56 thru #10-32 thread sizes.



SPECIFICATIONS

Squeezing Force	22.2 kN / 5,000 lbs.
Pressure System Type	Pneumatic
Air Requirements*	6 to 7 BAR / 90 to 100 PSI 12mm / 1/2" dia. minimum line flow
Throat Depth	7.6cm / 3"
Length	40.6cm / 16"
Yoke Depth	15.8 cm / 6.2"
Weight	4.6 kg / 10 lbs.

*1 psi = 0.07 bar. 1 bar = 14.5 psi.

Bulletin PSP3_MM-1018

©2018, PennEngineering.

See our website for the most current version of this bulletin.

PennEngineering®

Haeger



North America: Oakdale, CA USA • Sales: sales@haeger.com • Service: service@haeger.com • Tel: +1-209-848-4000 • 800-878-4343
 Europe: The Netherlands • Tel: +31 541 530 230 • Sales: aasbroek@haeger.com • Service: europeservice@haeger.com
 Asia Pacific: Shanghai, PRC • Tel: +86 152 2121 0215 • Service: axue@haeger.com

www.haeger.com • www.pemnet.com

PEMSERTER® MICRO-MATE® HAND TOOL

- Equipped with punches and dies to punch fastener mounting holes in metal sheets.
- Changes to a flat punch and recessed anvil to easily install metric or unified self-clinching nuts.
- Ideal for prototype shops or short production runs.
- One-year parts warranty.



The PEMSERTER® MICRO-MATE® hand tool is a versatile hand tool weighing only 1.25 kg / 2.75 lbs. that can develop a squeezing force of 1,134 kg / 2,500 lbs.

Kit contains one hand tool, one flat punch, seven punches and dies, one punch adapter bushing, one edge-depth guide, five fastener anvils and a storage case. The metric kit installs nut sizes M2 to M5 and the unified kit installs nut sizes #2-56 to #10-32.

SPECIFICATIONS

Squeezing Force	1,134 kg / 2,500 lbs.
Throat Depth	4.5 cm / 1.75"
Weight	1.25 kg / 2.75 lbs.



Bulletin PSP3_MM-1018

©2018, PennEngineering.

See our website for the most current version of this bulletin.

PennEngineering®



North America: Oakdale, CA USA • Sales: sales@haeger.com • Service: service@haeger.com • Tel: +1-209-848-4000 • 800-878-4343
Europe: The Netherlands • Tel: +31 541 530 230 • Sales: aasbroek@haeger.com • Service: europeservice@haeger.com
Asia Pacific: Shanghai, PRC • Tel: +86 152 2121 0215 • Service: axue@haeger.com

www.haeger.com • www.pemnet.com